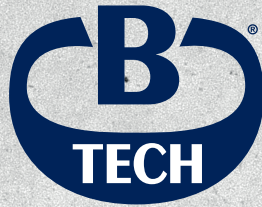


EST. 1972



B-TECH AV MOUNTS

B-TECH AV MOUNTS

PROFESSIONAL AUDIO VISUAL MOUNTING SOLUTIONS



2023 VIDEO BAR PRODUCT GUIDE

WWW.BTECHAVMOUNTS.COM



UC / VIDEO CONFERENCING VIDEO BAR & CAMERA MOUNTS

B-Tech's reputation as the go-to brand for professional AV mounting solutions is built off the back of our huge range of specialist solutions for each area of industry. Our suite of mounts for the VC/UC space is no exception and we have designed and manufactured a range of mounting plates and adaptors designed specifically to mount Video Bars, Soundbars, VC cameras and a range of other devices. These are all available from stock and can be fitted to a wide selection of B-Tech wall mounts, stands and trolleys. With options to fit the device above or below the display, end users will experience a robust, yet flexible mounting solution to suit their conferencing needs and the installation process will be smooth and hassle-free for the integrator.

Solutions available for all major brands, including:



For the most up-to-date brand listings visit B-Tech's website or contact us at technical@btechavmounts.com



**MOUNT DIRECTLY TO
B-TECH COLUMNS
(BT8380 / BT8381)**



**MOUNT ONTO A BT8390
SYSTEM X RAIL USING A
BT8390-SA MOUNTING ARM**



**POSITION ABOVE OR BELOW A
WALL MOUNTED SCREEN USING
A BT7031 MOUNTING ARM**



**MOUNT TO A Ø50MM POLE
USING A B-TECH ACCESSORY
COLLAR (BT7052 / BT7841)**



More mounting solutions are available from B-Tech which are not featured in this catalogue such as ceiling mounting, multi-screen set-ups etc. Contact B-Tech for further information: info@btechavmounts.com



WWW.BTECHAVMOUNTS.COM



INFO@BTECHAVMOUNTS.COM





BT7871
MOUNTING PLATE
 FOR JABRA PANACAST 50,
 POLY STUDIO / X50 / X70



BT7873
MOUNTING PLATE
 FOR LOGITECH RALLY BARS



BT7874
MOUNTING PLATE
 FOR DUAL LOGITECH RALLY PLUS SPEAKERS,
 CISCO WEBEX ROOM KIT PLUS, QUAD CAMERA
 & AVER VB342PRO



BT7875
MOUNTING PLATE
 FOR YEALINK A10 / UVC34 / UVC40 / A20 /
 MEETINGEYE 400, LOGITECH MEET UP &
 POLY STUDIO X30



VIDEO BAR / CAMERA MOUNTS



Lenovo

BT7876 MOUNTING PLATE FOR **LENOVO GOOGLE SERIES ONE ROOM KITS**

MOUNTS TO THE REAR
OF THE SCREEN



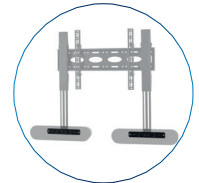
BOSE

neat.

logitech

Yealink

BT7877 MOUNTING PLATE FOR **BOSE VIDEOBAR VB1 / VB-S, LOGITECH RALLY PLUS SPEAKERS, NEAT.BAR, NEAT.BAR PRO & YEALINK MSPEAKERII**



USE 2X MOUNTING ARMS (BT7031 / BT7034 / BT8390-SA)
& 2X BT7877 TO MOUNT LOGITECH RALLY PLUS SPEAKERS



Yealink

BT7878 MOUNTING PLATE FOR **YEALINK A30 / MEETINGEYE 600**



UNIVERSAL SHELF ALSO SUITABLE FOR MANY
VC CAMERAS WITH SINGLE FIXINGS

VIDEO BAR MOUNTS

MODEL NUMBER	VIDEO BAR / CAMERA	MAX LOAD	SYSTEM X COMPATIBLE	SYSTEM 2 COMPATIBLE	DIMENSIONS
BT7871	Jabra Panacast 50, Poly Studio / X50 / X70	3kg	<input checked="" type="checkbox"/>	<input checked="" type="checkbox"/>	185mm x 75mm
BT7873	Logitech Rally Bar / Rally Bar Mini	8kg	<input checked="" type="checkbox"/>	<input checked="" type="checkbox"/>	440mm x 30mm
BT7874	Logitech Rally Plus / Aver VB342PRO / Cisco Webex Room Kit Plus / Quad Camera	5kg	<input checked="" type="checkbox"/>	<input checked="" type="checkbox"/>	740mm x 30mm
BT7875	Yealink A10 / UVC34 / UVC40 / A20 / MeetingEye 400 / Logitech MeetUp / Poly Studio X30	4kg	<input checked="" type="checkbox"/>	<input checked="" type="checkbox"/>	90mm x 63mm x 60mm
BT7876	Lenovo Google Series One Medium Room, Google Series One Large Room Kits	10kg	N/A	N/A	1506mm - 449mm
BT7877	Neat Bar / Neat Bar Pro / Bose Videobar VB1 & VB-S / Yealink MspeakerII / Logitech Rally Plus Speakers (x2 pcs)	3kg	<input checked="" type="checkbox"/>	<input checked="" type="checkbox"/>	250mm x 40mm
BT7878	Yealink A30 / MeetingEye 600	4kg	<input checked="" type="checkbox"/>	<input checked="" type="checkbox"/>	100mm x 103mm x 70mm



TYPICAL INSTALLATIONS & ADDITIONAL PRODUCTS REQUIRED

COLUMN MOUNTING

A video bar mounting plate can attach directly to a B-Tech column (BT8380 / BT8381*). Ideal for use on System X and Designer Trolleys and floor stands.

*Use a BT8385-RTC when mounting to a Mode-AL BT8385 column.



No additional product required - fit direct to column



POLE MOUNTING

A video bar mounting plate can be fixed to a Ø50mm Pole using a B-Tech Accessory Collar (BT7052 / BT7841*). Ideal for ceiling mounts or on pole mounted floor stands and trolleys.



*Use a BT7841 2-Piece Accessory Collar to retro fit video bar onto an existing installation



RAIL MOUNTING

A video bar mounting plate can be mounted onto a rail using an Adjustable Accessory Mounting Arm (BT8390-SA), and can be positioned above or below the screen(s).

Ideal for any System X or Mode-AL products that feature a BT8390 mounting rail.



USE BT8390-SA



TYPICAL INSTALLATIONS & ADDITIONAL PRODUCTS REQUIRED

FLAT SCREEN MOUNTING

A video bar mounting plate can be mounted onto compatible flat screen mount* using a BT7031 adjustable accessory mounting arm.



Use mounting arms on trolleys / stands when mounting onto a column / pole is not an option.



* Compatible Flat Screen Wall Mounts:

BT8431 / BT8432 / BT8441 / BT8442 / BT9901 / BT9903

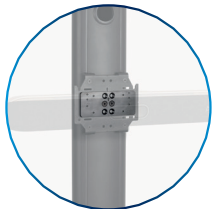
** The **BT7031** mounting arm can also be used on trolleys, stands and ceiling mounts that feature any of the above flat screen mounting plates in place of a rail.



MODE-AL MOUNTING

A video bar mounting plate can be attached to a Mode-AL stand using a BT8390-SA mounting arm to hook onto the rail or by using a BT8385-RTC plate to fix on to the column (BT8385).

All mounting arms can be installed to mount the video bar above or below the screen.



Use a **BT8385-RTC** for column mounting...



...or a **BT8390-SA** for rail mounting

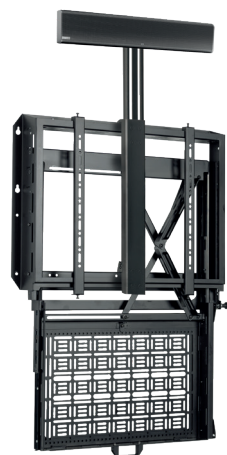


TYPICAL INSTALLATIONS

AV STORAGE MOUNTING

A video bar mounting plate can be mounted onto a B-Tech flat screen wall mount with slide-out / pull-down AV storage tray (BT7883 / BT7885) using an BT7034 adjustable accessory mounting arm.

AV storage trays are a convenient way of storing AV equipment behind the display and out of sight.



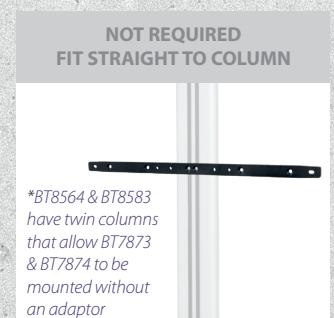
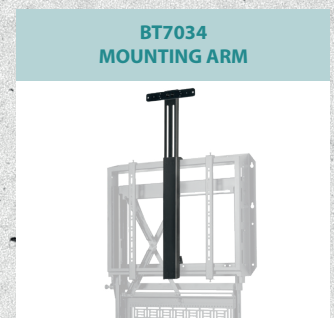
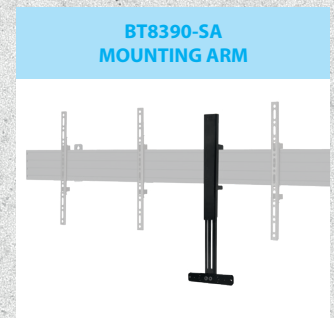
VIDEO BAR MOUNTING PLATES

BRAND	VIDEO BAR MODEL		VIDEO BAR MOUNTING PLATE
		Aver VB342PRO	BT7874 
		Bose Videobar VB1 Bose Videobar VB-S	BT7877 
		Cisco Webex Room Kit Plus Cisco Quad Camera	BT7874 
		Jabra Panacast 50	BT7871 
		Lenovo Google Series One Medium Room, Lenovo Google Series One Large Room Kits	BT7876* <i>*Mounts directly to the back of the screen</i> 
		Logitech Rally Bar Logitech Rally Bar Mini	BT7873 
		Logitech Rally Plus	BT7874 
		Logitech MeetUp	BT7875 
		Logitech Rally Plus Speakers	BT7877 (x2 pcs) 
		Neat Bar Neat Bar Pro	BT7877 
		Poly Studio Poly Studio X50 Poly Studio X70	BT7871 
		Poly Studio X30	BT7875 
		Yealink A10 / UVC34 Yealink UVC40 Yealink A20 Yealink MeetingEye 400	BT7875 
		Yealink MspeakerII	BT7877 
		Yealink A30 Yealink MeetingEye 600	BT7878 


VIDEO BAR MOUNTING REFERENCE TABLE

ADAPTOR USAGE EXAMPLES

All can mount video bar above or below screen (example shows BT7877)



*BT8564 & BT8583 have twin columns that allow BT7873 & BT7874 to be mounted without an adaptor

MOUNT TO	AVAILABLE PRODUCTS	ADAPTOR NEEDED TO USE VIDEO BAR MOUNTING PLATE	
 <p>WALL MOUNT</p>	BT8431 - Single screen BT8432 - Single screen BT8441 - Single screen BT8442 - Single screen BT9901 - Single screen BT9903 - Single screen	BT7031	
	BT7883 - Single screen & storage BT7885 - Single screen & storage	BT7034	
	BT8415 - VC twin screen BT8416 - VC twin screen	BT8390-SA	
	BT8562 - Single screen	NOT REQUIRED**	
	BT8504 - Single screen BT8506 - Single screen BT8564* - Single screen BT8568 - Single screen, motorised	BT7031	
	BT8511 - VC twin screen BT8514 - VC twin screen BT8516 - VC twin screen BT8517 - VC twin screen BT8518 - VC twin screen BT8590 - Single screen	BT8390-SA	
 <p>TROLLEY</p>	BT8570 - Single screen BT8571 - Single screen BT8572 - Single screen	BT7052 OR BT7841	
	BT8573 - Single screen BT8569 - Single screen, motorised	BT7031	
	BT8521 - VC twin screen BT8528 - VC twin screen BT8538 - VC twin screen	BT8390-SA	
	BT8581 - Single screen BT8582 - Single screen BTF840 - Single screen BTF841 - Dual stacked screen BTF842 - Dual stacked screen BTF843 - Single screen BTF845 - VC twin screen	NOT REQUIRED** **Mounting plate can be fixed directly to the column. BT7031 adaptor arm may be required if mounting the video bar above the screen.	
	BT8700 - Single screen BT8701 - Single screen BT8702 - Single screen BT8703 - Single screen BT8704 - Single screen BT8705 - Single screen BT8706 - Single screen	BT8390-SA	
	BT8583* - Single screen	BT7031	
	BT8707 - Single screen BT8708 - Single screen BT8709 - Single screen BT8710 - VC twin screen BT8711 - VC twin screen BT8712 - VC twin screen	BT8390-SA	
	 <p>STAND</p>	BT8700 - Single screen BT8701 - Single screen BT8702 - Single screen BT8703 - Single screen BT8704 - Single screen BT8705 - Single screen BT8706 - Single screen	BT8390-SA
		BT8583* - Single screen	BT7031
		BT8707 - Single screen BT8708 - Single screen BT8709 - Single screen BT8710 - VC twin screen BT8711 - VC twin screen BT8712 - VC twin screen	BT8390-SA

VIDEO BAR MOUNTING OPTIONS



VIDEO BAR MOUNTING COMPATIBILITY TABLE

BRAND	VIDEO BAR MODEL NUMBER	MOUNTING PLATE REF
	Aver VB342PRO	BT7874
	Bose Videobar VB1 Bose Videobar VB-S	BT7877
	Cisco Webex Room Kit Plus Cisco Quad Camera	BT7874
	Jabra Panacast 50	BT7871
	Lenovo Google Series One Medium Room Lenovo Google Series One Large Room Kits	BT7876
	Logitech Rally Bar Logitech Rally Bar Mini	BT7873
	Logitech Rally Plus	BT7874
	Logitech MeetUp	BT7875
	Logitech Rally Plus Speakers	BT7877 (x2 pcs)
	Neat Bar Neat Bar Pro	BT7877
	Poly Studio Poly Studio X50 Poly Studio X70	BT7871
	Poly Studio X30	BT7875
	Yealink A10 / UVC34 Yealink UVC40 Yealink A20 Yealink MeetingEye 400	BT7875
	Yealink MspeakerII	BT7877
	Yealink A30 Yealink MeetingEye 600	BT7878

STEP 1 CHOOSE VIDEO BAR MOUNT

VIDEO BAR MOUNTING PLATES



BT7871



BT7873



BT7874



BT7875



BT7877




BT7878




Mounts directly to the back of the screen
BT7876

STEP 2 CHOOSE MOUNTING ACCESSORIES

COLLARS




BT7052




BT7841


MOUNTING ARMS



BT8930-5A



BT7031



BT7034

VIDEO BAR MOUNTING GUIDE

Install the video bars onto existing B-Tech mounting kits or create a mounting solution from scratch using B-Tech's component ranges. Mount the video bar/camera above or below the screen using adjustable mounting arms, collars for pole mounting or fix directly onto columns. Solutions for floor, wall and ceiling mounting available for most manufacturers.

STEP 3

CHOOSE POLE / RAIL OR SCREEN MOUNT

POLES



BT7850

BT4107 | BT4116 | BT4118

COLUMNS



BT8390-180

BT8381

BT8385

MOUNTING RAILS



BT8390

FLAT SCREEN MOUNTS



BT8431

BT8432

BT8441

BT8442

BT9901

BT9903

AV STORAGE MOUNTS



BT7883

BT7885

EXAMPLE INSTALLATIONS

POLE MOUNTED



COLUMN MOUNTING



RAIL MOUNTING



FLAT SCREEN MOUNTING



FLAT SCREEN AV STORAGE WALL MOUNTING



SCREEN MOUNTING



B-TECH AV MOUNTS

PROFESSIONAL AUDIO VISUAL MOUNTING SOLUTIONS



TO FIND YOUR LOCAL B-TECH OFFICE VISIT:
WWW.BTECHAVMOUNTS.COM/CONTACT-US



© 2023 June B-Tech International Design & Manufacturing Ltd., All rights reserved.

The information in this catalogue reflects the current technical specifications at the time of print. We reserve the right to change the technical or physical specifications without prior notice. Better by Design, System X, System 2 and System V are trademarks of B-Tech International Design & Manufacturing Ltd., B-Tech AV Mounts, the B-Tech logo, Ventry & Mode-AL are all registered trademarks. All B-Tech images and symbols are exclusive property of B-Tech International Design & Manufacturing Ltd. All other brands and products are trademarks of their respective owners. B-Tech accept no liability for loss or damage caused by improper installation or mounting on unstable structures. E&OE.

DISCLAIMER

B-Tech security fasteners are designed as a security deterrent only. B-Tech, B-Tech distributors and B-Tech resellers accept no liability for loss or resulting costs incurred from the theft, attempted theft or unauthorised removal of any item(s) mounted using B-Tech security fasteners. Security screw removal tools are widely available and all B-Tech security fasteners are intended as a deterrent to the opportunist thief only.

B-Tech AV Mounts is part of the Global Mounts Group



GLOBAL MOUNTS GROUP

www.globalmountsgroup.com

CAVB-2023-V1-010523-ENG

