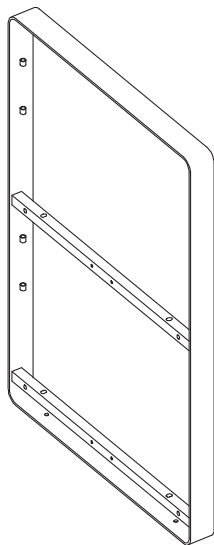
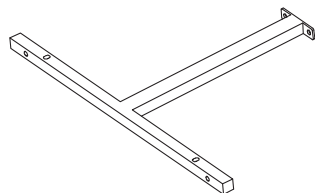


B x1



D x2



E x4



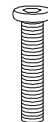
M6x12

F x8



M5x25

G x4



M6x50

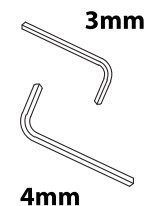
H x4



I x12



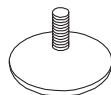
J x1



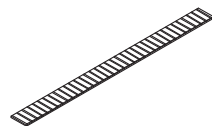
K x1



L x2

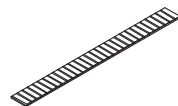


M x1



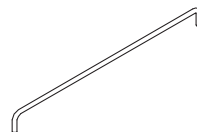
30x500mm

N x1

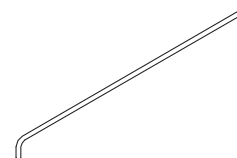


30x340mm

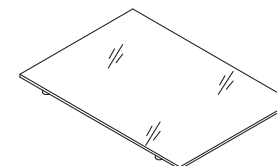
O x4



P x2



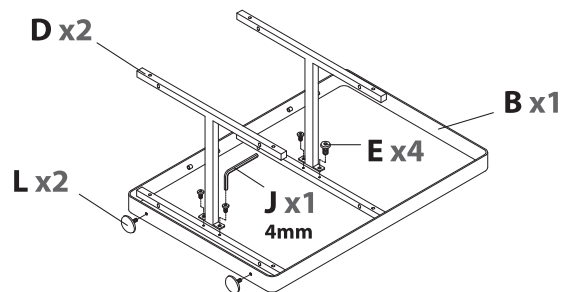
R x2



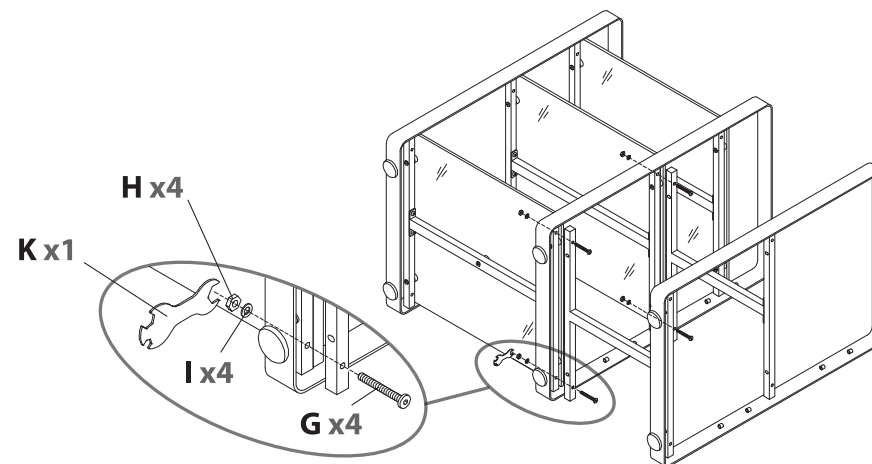
S x2



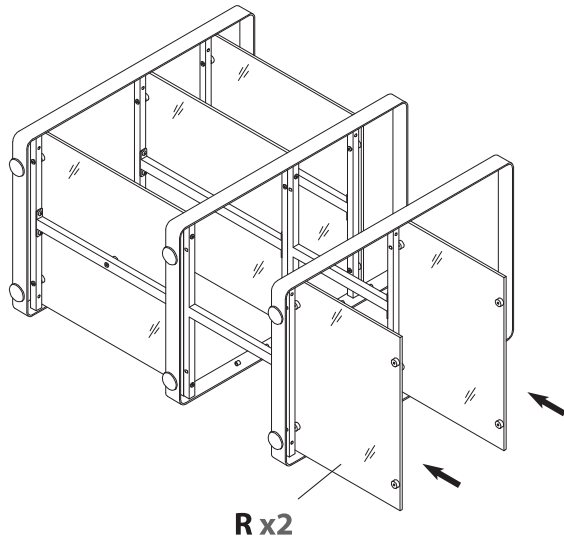
①



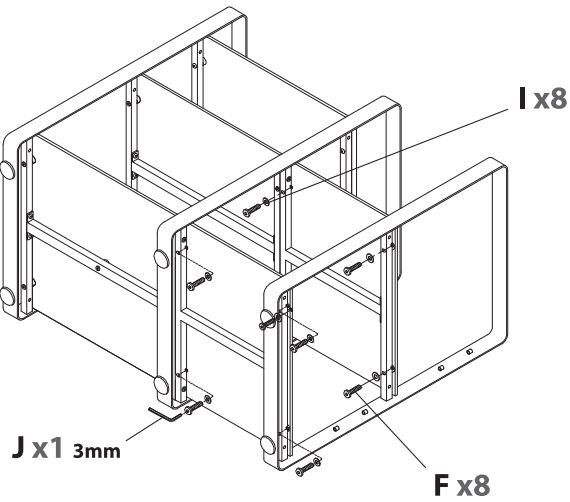
②



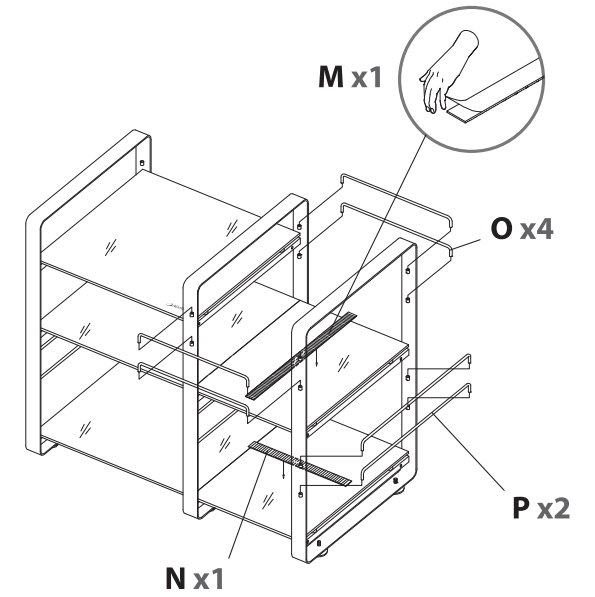
3



4



5



6

