

B x1

D x2

E x4

F x8

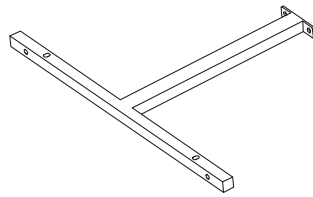
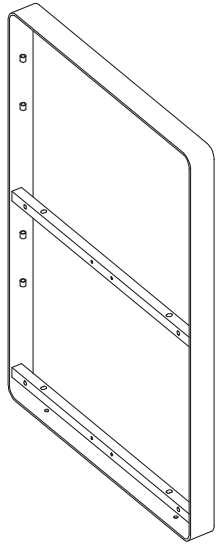
G x4

H x4

I x4

J x1

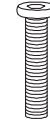
K x1



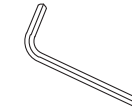
M6x12



M6x30



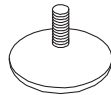
M6x50



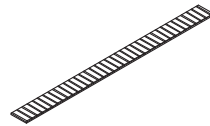
4mm



L x2

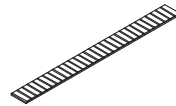


M x1



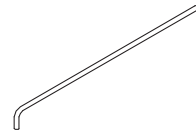
30x500mm

N x1

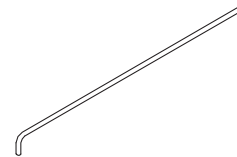


30x340mm

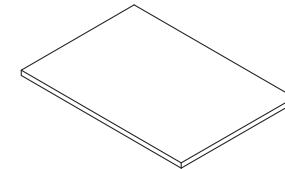
O x4



P x2



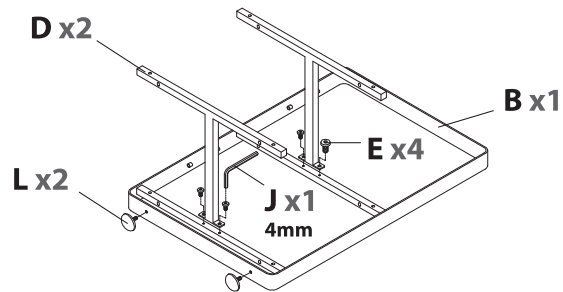
R x2



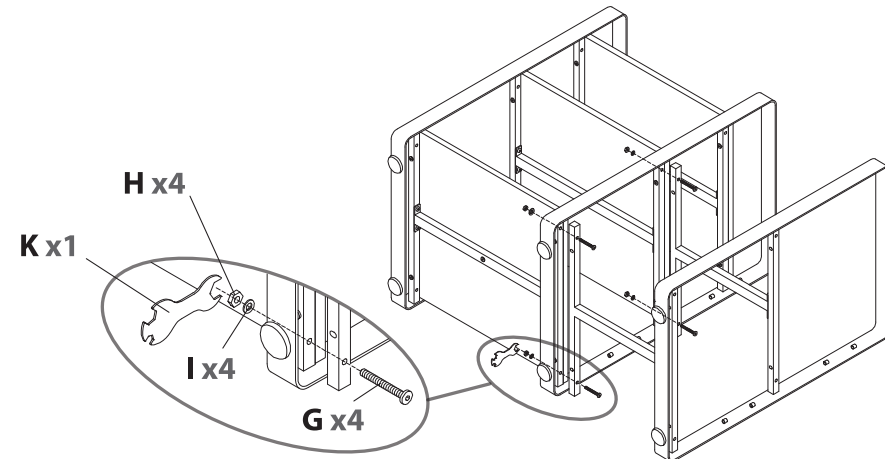
S x2



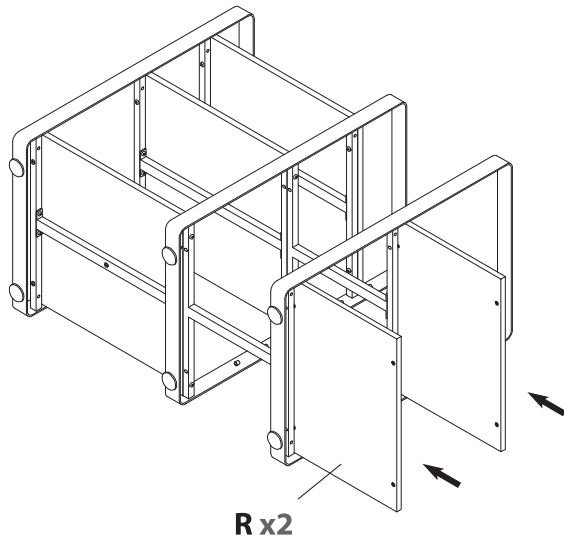
1



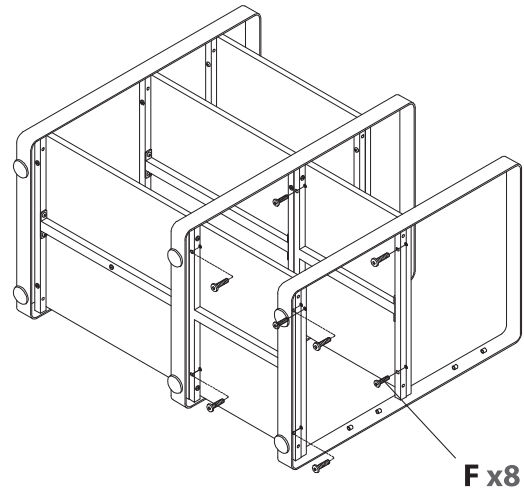
2



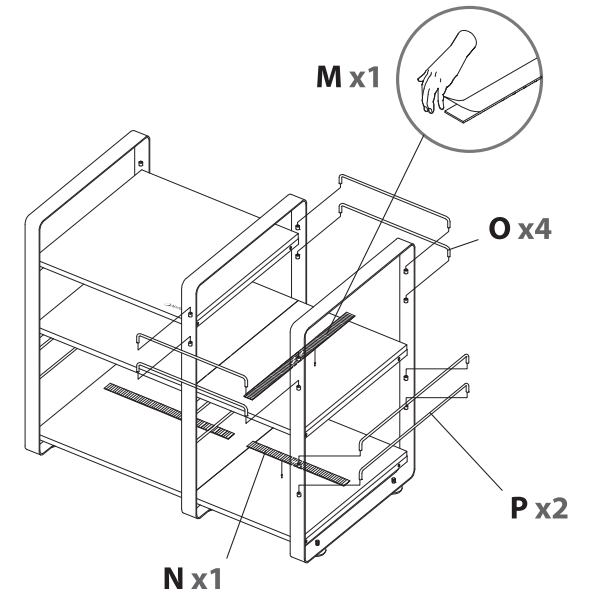
3



4



5



6

